

**Technical specification****NBB3S BASKET BOOM**

2-men basket  
Lifting capacity 500 kg  
Boom lift -18°...+ 60°  
Max. Lifting height (basket floor) 6.4 m  
Max. Vertical reach 8,4 m  
Boom slew +/- 30°  
Automatic levelling of basket  
Diesel start/stop from basket  
Battery operated emergency pump for lowering the boom

**ENGINE**

Liquid cooled turbo charged Deutz TCD 2013 L4,  
120 kW/2300 rpm, TIER 3 approved

**EXHAUST SYSTEM**

Catalytic exhaust gas purifier and muffler

**TRANSMISSION**

Dana 24 000 series power shift with pump drive group  
3 speeds forward and reverse  
4-wheel drive

**AXLES**

Planetary type  
Dana 123  
Load end axle fixed  
Engine end axle oscillation +/- 10°

**PERFORMANCE**

1st gear max.	6 km/h
2nd gear	12 km/h
3rd gear	25 km/h
Max. tractive effort	133 kN
Max speed in 1:7 inclined tunnel	8 km/h
Performance curve	100018584

**STEERING**

Hydraulic frame steering  
Orbitrol type  
Frame articulation +/- 40°

**BRAKES**

Service brake: hydraulically powered dual-circuit oil immersed multidisc brakes in both axles  
Safety/Parking brake: spring applied hydraulically released fail-safe -type brake. Brake testing possible from cabin

**TYRES**

12.00 - 20 PR 20

**FUEL TANK**

Capacity 112 L

**HYDRAULIC SYSTEM**

Variable displacement pump system,  
190 bar, 95 L/min/2200 rpm  
Hydraulic oil tank capacity 115 L  
Return oil filtration 10 µm  
Indication of level, filtration and temperature

**24 VDC ELECTRICAL SYSTEM**

Exposed components are min IP 65 standard  
Battery 2 x 115 Ah  
Alternator 100 A  
Driving halogen lights (4 + 2 pcs) 70 W  
Working halogen lights (2 + 2 pcs) 70 W  
LED working lights in basket (2 pcs)  
LED parking, brake and indicator lights  
LED side lights; amber  
Side reversing halogen lights 70 W  
Rotating beacon; amber  
Wire harness (self extinguishing) with tinned wires and water tight conduits

**DRIVER'S COMPARTMENT**

Open 2-man cabin FOPS/ROPS approved  
3 different mounting heights for cabin  
Air suspended T-back seat for driver and passenger Seat with retractable lap seat belt  
Forward and side seating for the driver with two sets of pedals (brake and accelerator)  
CAN Cockpit, Master Gauge:

- Tacho, rpm
- Operating hours
- Fuel level
- Transmission temperature
- Cooling water temperature

**GREASING SYSTEM**

Centralized grease fittings for the carrier

**OTHER**

12 kg hand held fire extinguisher (2 pcs)  
Standard symbol labels  
Extendable support legs at the load end

**Optional equipment****DRIVER'S CABIN**

Enclosed cabin, FOPS/ROPS  
Air suspended T-back seat for driver and passenger

**ENGINE**

Liquid cooled turbo charged Mercedes-Benz OM 904 LA,  
110 kW/2200 rpm, TIER 3 approved

1st gear max.	6 km/h
2nd gear	13 km/h
3rd gear	25 km/h
Max. tractive effort	120 kN
Max speed in upward 1:7 inclined tunnel	8 km/h
Performance curve	100018584

**OTHER**

LED driving lights (4 + 2 pcs) 18 W  
LED working lights (2 + 2 pcs) 43 W  
Warning lights, 1 unit:

- Rotating beacon; red
- Rotating beacon; blue

**Additional equipment****SUSPENSION**

Front axle suspension

- Hydraulic front support legs

**FOR ENCLOSED CABIN****CD/Radio system****Cabin ventilation:**

- Cabin heating
- Air conditioning

**FOR NBB BASKET****Safety bar****Safety roof with hydraulic lift:**

- 400 kg = 240 kg + 2 persons

**Safety roof with hydraulic lift and slide:**

- 300 kg = 140 kg + 2 persons

**LED working lights on safety roof (2 pcs) 43 W****Boom suspension****FIRE SUPPRESSION SYSTEM**

**Fogmaker:** Manually actuated

**Fogmaker:** Automatically actuated

**Ansul:** Manually actuated

**Ansul:** Automatically actuated

**Tempus:** Manually actuated

**GREASING SYSTEM**

Automatic lubrication system for carrier: Lincoln

Automatic lubrication system for carrier and lifter: Lincoln

**OTHER**

Fast fuel filling system: Wiggins

Oil evacuation kit with sample points

Extra hand held fire extinguisher (12 kg)

Hydraulic front support legs

Warning lights, 1 unit:

- Rotating beacon; amber
- Rotating beacon; red
- Rotating beacon; blue
- Strobe light; white

**Text labels in:** Fin / En / Por / Swe / Rus / Nor / Ger / Fra / Spa/ Ita

**2 wheel chocks with brackets**

**Reversing camera**

**Spare wheel**

## LTC services

### SPARE PARTS

**Spare parts package A:** Available for 1000 h of use\*. Include periodical service, most common wearing parts and most critical safety parts.

**Spare parts package B:** Available for 3000 h of use\*. Include periodical service, most common wearing parts and most critical safety parts.

\* Recommendations are based on average hours - can vary a lot depending on work site conditions.

### TRAINING SERVICES

Available before delivery, at start up and after delivery.

NOTE! after/during Start up / Commissioning as additional training days these are cheaper.  
In general training reduces operation costs.

#### Product training:

Operation and Maintenance

NorSmart

Foundation of electrics, hydraulics  
and mechanics

Audit

#### Process training:

Concrete spraying

Charging

Scaling

Process audit

### AUDIT SERVICES

To improve machines performance

To improve your processes performance and quality

### SERVICE CONTRACTS

**Spare parts supply programmes**

**Scheduled inspection programmes**

**Supervision programmes**

**Periodic maintenance programmes**

**Machine usage programmes**

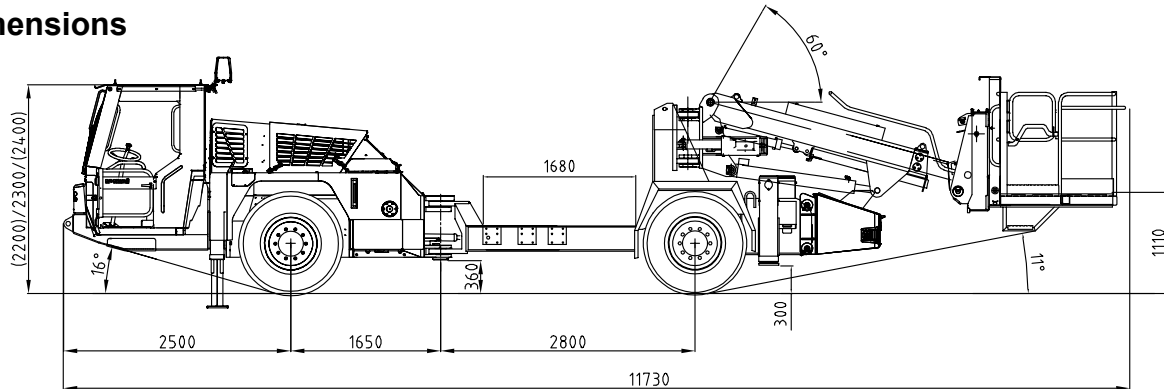
### LINK ONE

Link One electronic spare part manuals

### WARRANTY SERVICES

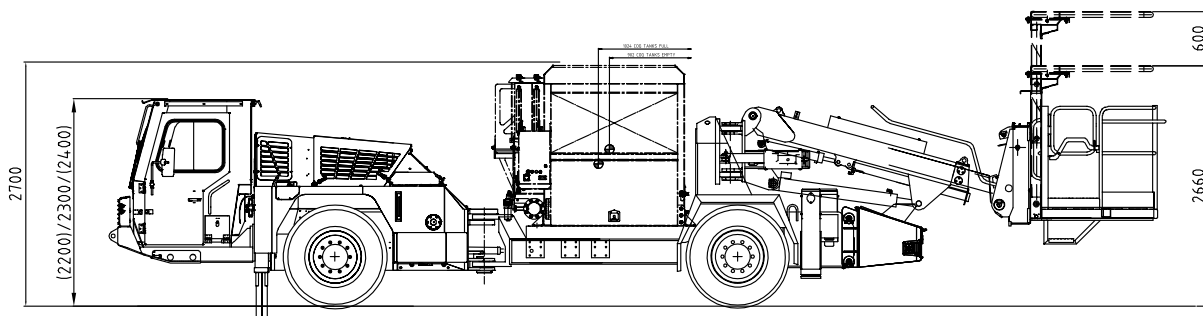
Extended warranty

### Dimensions



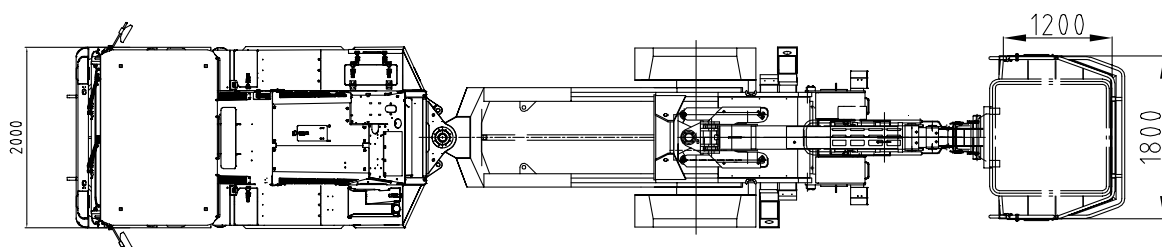
### SIDE VIEW

Basic machine



### SIDE VIEW

Machine with options and example OEM 6000 kg emulsion kit



### TOP VIEW

#### DIMENSIONS

Length	11730 mm
Width	2000 mm
Height	2300 mm
Wheel base	4450 mm
Track	1650 mm
Ground clearance	360 mm

#### TURNING RADIUS

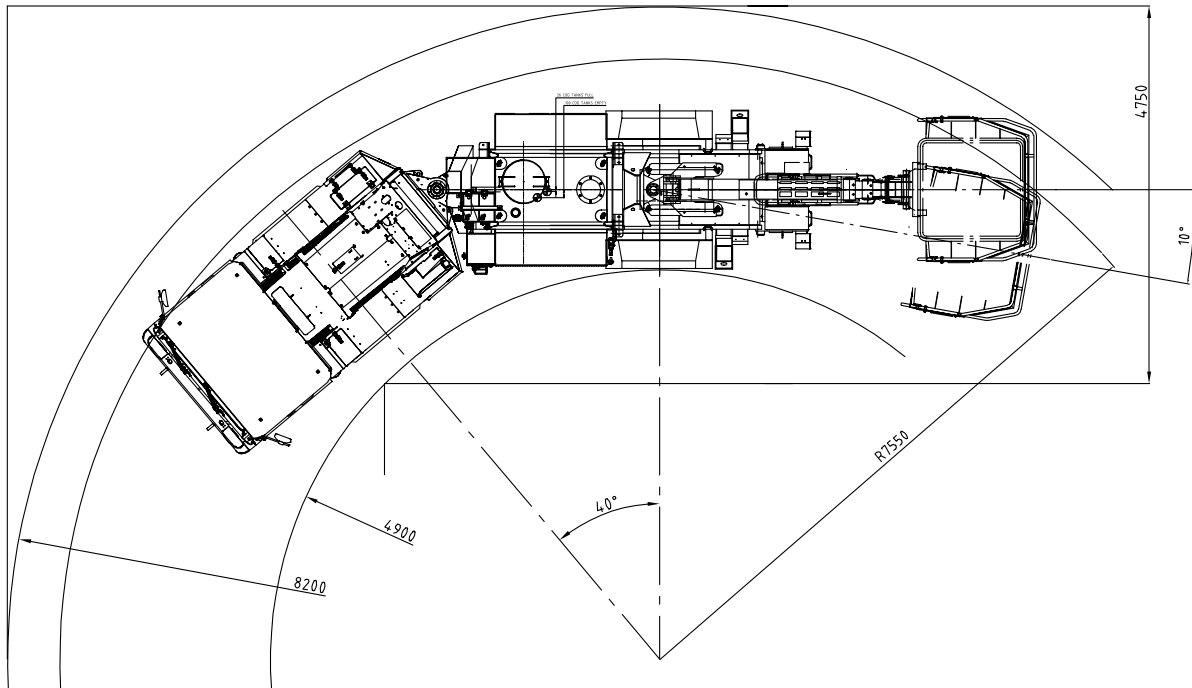
Outer	8200 mm
Outer with 10 degree boom slew	7550 mm
Inner	4900 mm

#### WEIGHT

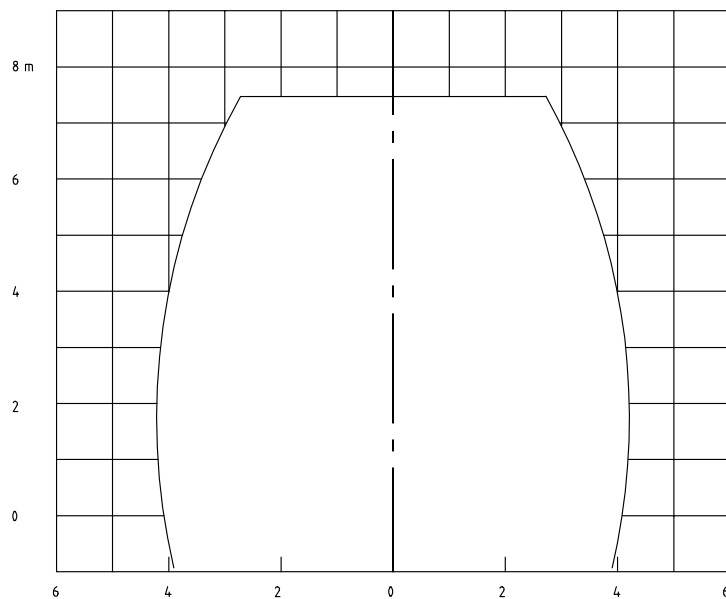
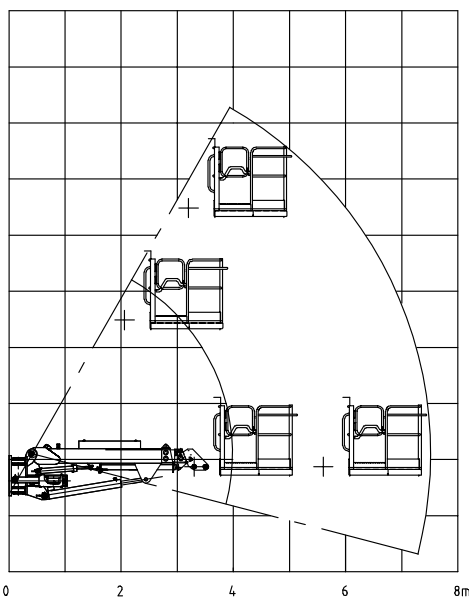
Operating weight:	
• Empty	14 000 kg
• With max load	20 000 kg

Normet reserves the right to change this specification without further notice.

**Dimensions**



**TURNING RADIUS**

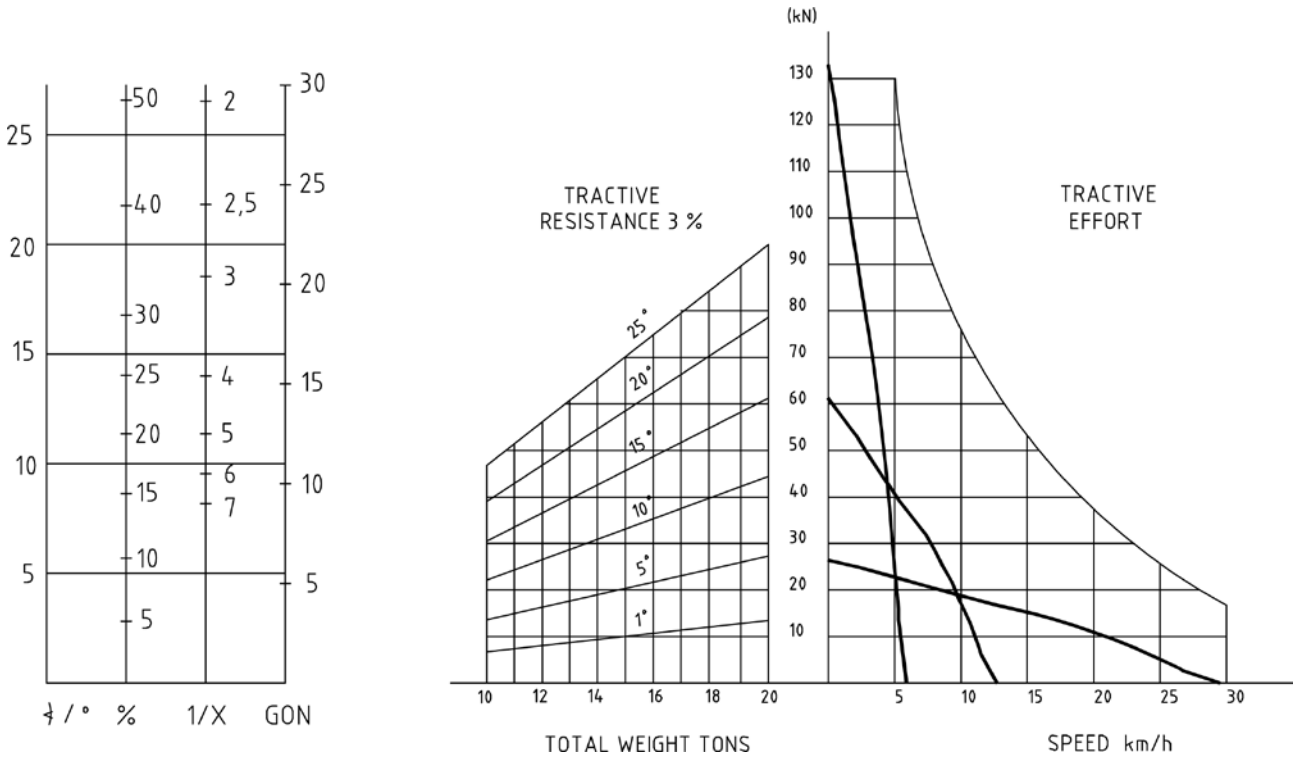


**BOOM REACH**

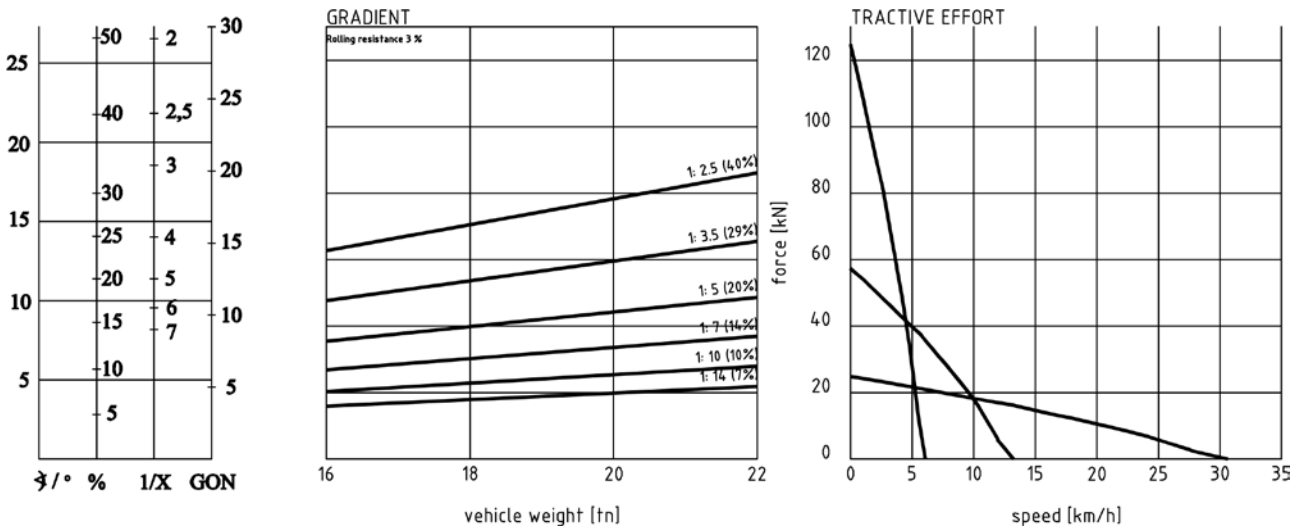
Lateral and vertical

Normet reserves the right to change this specification without further notice.

### Tractive efforts



**DEUTZ TCD 2013 L4 120 kW**  
Performance curve 100018584



**MERCEDES-BENZ OM 904 LA 110 kW**  
Performance curve 100006272

Normet reserves the right to change this specification without further notice.