

Technical specification**NBB3S BASKET BOOM**

2-men basket
Lifting capacity 500 kg
Boom lift -18°...+ 60°
Max. Lifting height (basket floor) 6.4 m
Max. Vertical reach 8,4 m
Boom slew +/- 30°
Automatic levelling of basket
Diesel start/stop from basket
Battery operated emergency pump for lowering the boom

ENGINE

Liquid cooled turbo charged Mercedes-Benz OM 904 LA, 110 kW/2200 rpm, TIER 3 approved

EXHAUST SYSTEM

Catalytic exhaust gas purifier and muffler

TRANSMISSION

Dana 24 000 series power shift with pump drive group
3 speeds forward and reverse
4-wheel drive

AXLES

Planetary type
Dana 123
Load end axle fixed
Engine end axle oscillation +/- 10°

PERFORMANCE

1st gear max.	6 km/h
2nd gear	13 km/h
3rd gear	25 km/h
Max. tractive effort	120 kN
Max speed in upward 1:7 inclined tunnel	
Empty	12 km/h
Fully loaded	8 km/h
Performance curve	100006272

STEERING

Hydraulic frame steering
Orbitrol type
Frame articulation +/- 40°

BRAKES

Service brake: hydraulically powered dual-circuit oil immersed multidisc brakes in both axles
Safety/Parking brake: spring applied hydraulically released fail-safe -type brake. Brake testing possible from cabin

TYRES

12.00 - 20 PR 20

FUEL TANK

Capacity 112 L

HYDRAULIC SYSTEM

Variable displacement pump system,
190 bar, 95 L/min/2200 rpm
Hydraulic oil tank capacity 115 L
Return oil filtration 10 →m
Indication of level, filtration and temperature

24 VDC ELECTRICAL SYSTEM

Exposed components are min IP 65 standard
Battery 2 x 115 Ah
Alternator 100 A
Driving halogen lights (4 + 2 pcs) 70 W
Working halogen lights (2 + 2 pcs) 70 W
LED working lights in basket (2 pcs)
LED parking, brake and indicator lights
LED side lights; amber
Side reversing halogen lights 70 W
Rotating beacon; amber
Wire harness (self extinguishing) with tinned wires and water tight conduits

DRIVER'S COMPARTMENT

Open 2-man cabin FOPS/ROPS approved
3 different mounting heights for cabin
Air suspended T-back seat for driver and passenger Seat with retractable lap seat belt
Forward and side seating for the driver with two sets of pedals (brake and accelerator)
CAN Cockpit, Master Gauge:

- Tacho, rpm
- Operating hours
- Fuel level
- Transmission temperature
- Cooling water temperature

GREASING SYSTEM

Centralized grease fittings for the carrier

OTHER

Fast fuel filling system: Wiggins
9 kg hand held fire extinguisher ^(A)
Standard symbol and text labels
Reversing camera
Oil evacuation system
Support legs at the engine end
Extendable support legs at the load end

Optional equipment**DRIVER'S CABIN**

Enclosed cabin, FOPS/ROPS

OTHER

LED driving lights (4 + 2 pcs) 18 W

LED working lights (2 + 2 pcs) 43 W

Warning lights, 1 unit:

- Rotating beacon; red
- Rotating beacon; blue

Additional equipment**FOR ENCLOSED CABIN**

CD/Radio system

Cabin ventilation: Air conditioning

FOR NBB BASKET

Safety bar

Safety roof with hydraulic lift:

- 400 kg = 240 kg + 2 persons

Safety roof with hydraulic lift and slide:

- 300 kg = 140 kg + 2 persons

LED working lights on safety roof (2 pcs) 43 W

FIRE SUPPRESSION SYSTEM

AFFF fire suppression system ^(A)

GREASING SYSTEM

Automatic lubrication system for carrier: Lincoln

Automatic lubrication system for carrier and lifter: Lincoln

OTHER

Two Hand Held Fire Extinguishers 4.5 & 9kg ^(A)

Extra warning lights:

- Rotating beacon; amber
- Rotating beacon; red
- Rotating beacon; blue
- Strobe light; white

Radio and enclosure ^(A)

2 wheel chocks with brackets

Spare wheel

LTC services

SPARE PARTS

Spare parts package A: Available for 1000 h of use*. Include periodical service, most common wearing parts and most critical safety parts.

Spare parts package B: Available for 3000 h of use*. Include periodical service, most common wearing parts and most critical safety parts.

* Recommendations are based on average hours - can vary a lot depending on work site conditions.

TRAINING SERVICES

Available before delivery, at start up and after delivery.

NOTE! after/during Start up / Commissioning as additional training days these are cheaper.
In general training reduces operation costs.

Product training:

Operation and Maintenance

NorSmart

Foundation of electrics, hydraulics
and mechanics

Audit

Process training:

Concrete spraying

Charging

Scaling

Process audit

AUDIT SERVICES

To improve machines performance

To improve your processes performance and quality

SERVICE CONTRACTS

Spare parts supply programmes

Scheduled inspection programmes

Supervision programmes

Periodic maintenance programmes

Machine usage programmes

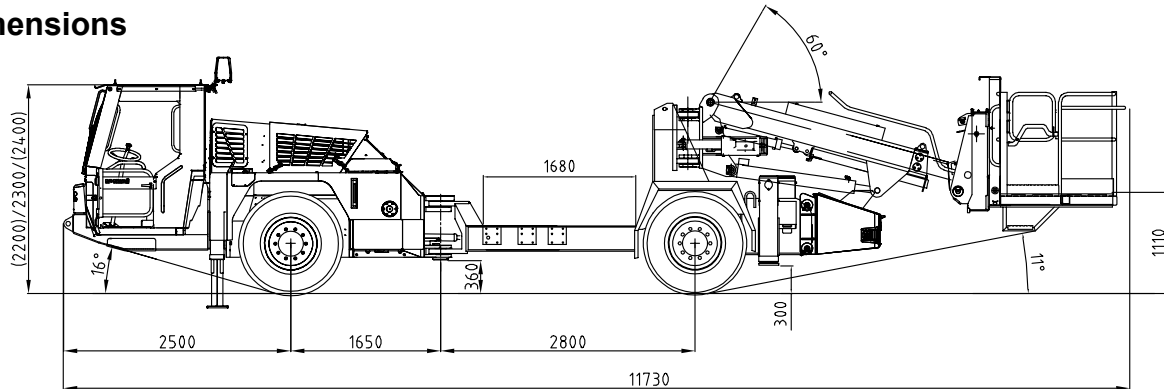
LINK ONE

Link One electronic spare part manuals

WARRANTY SERVICES

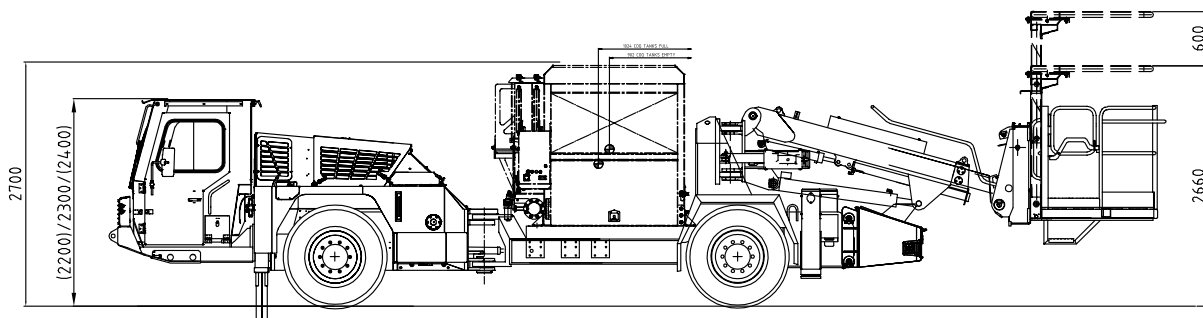
Extended warranty

Dimensions



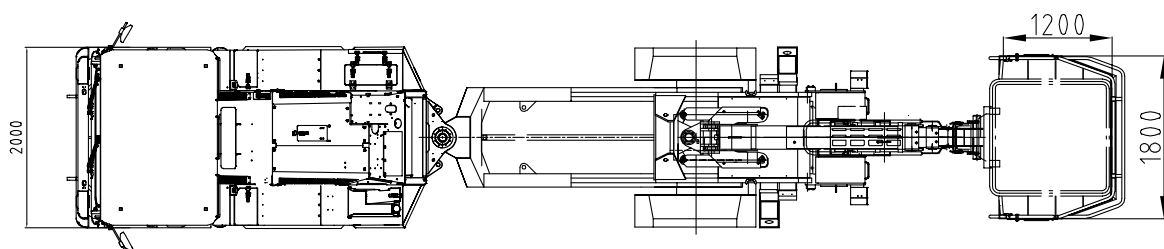
SIDE VIEW

Basic machine



SIDE VIEW

Machine with options and example OEM 6000 kg emulsion kit



TOP VIEW

DIMENSIONS

Length	11730 mm
Width	2000 mm
Height	2300 mm
Wheel base	4450 mm
Track	1650 mm
Ground clearance	360 mm

TURNING RADIUS

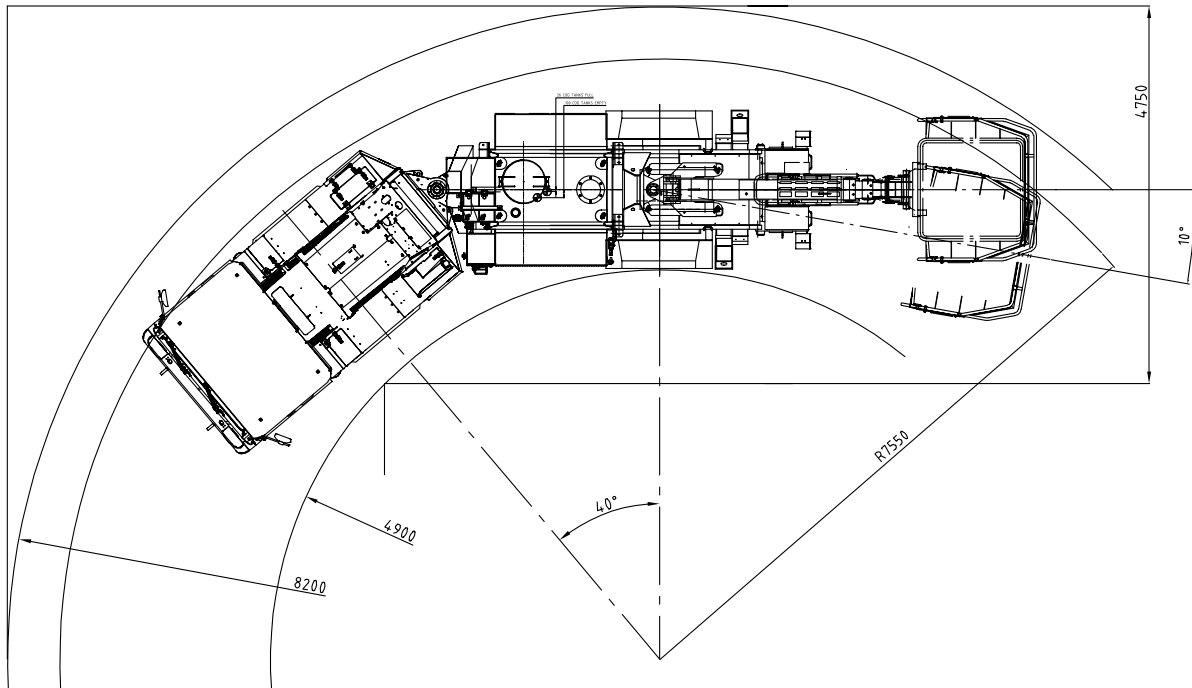
Outer	8200 mm
Outer with 10 degree boom slew	7550 mm
Inner	4900 mm

WEIGHT

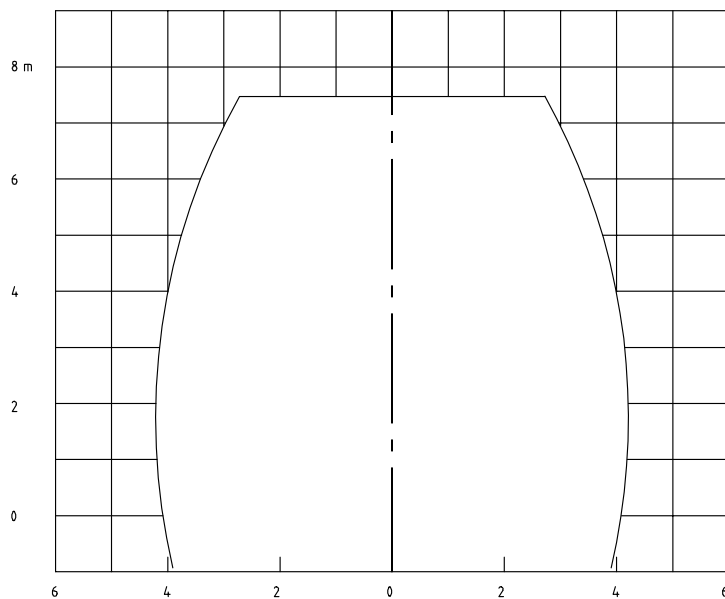
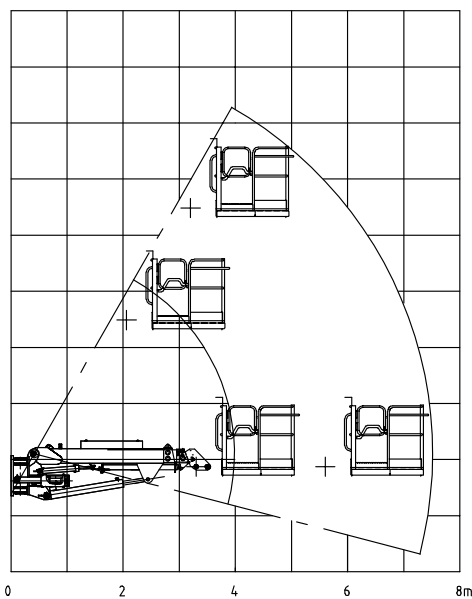
Operating weight:	
• Empty	14 000 kg
• With max load	20 000 kg

Normet reserves the right to change this specification without further notice.

Dimensions



TURNING RADIUS

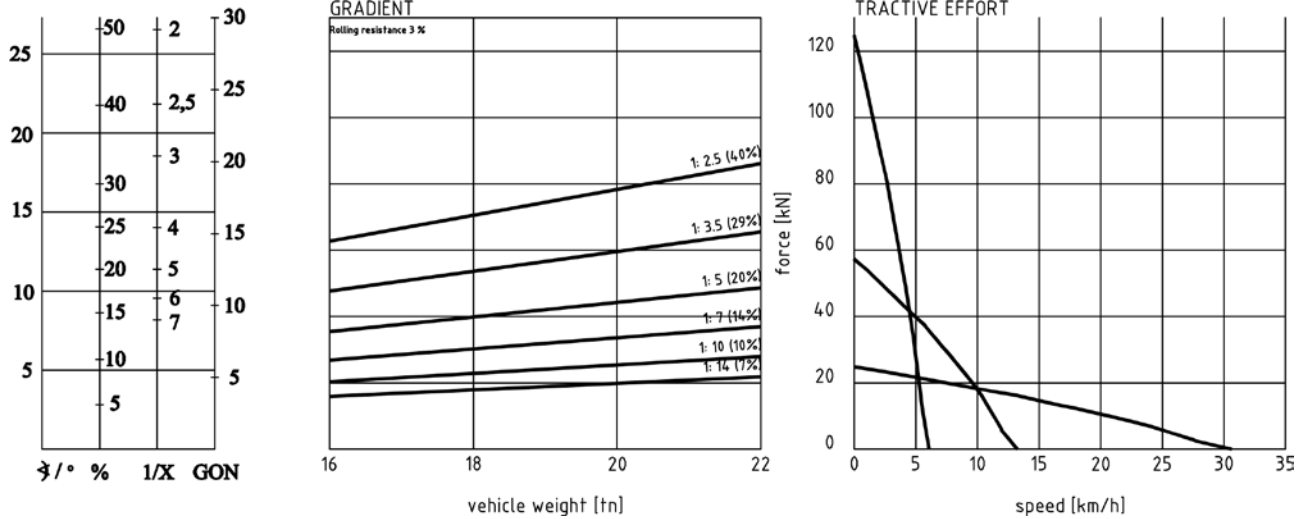


BOOM REACH

Lateral and vertical

Normet reserves the right to change this specification without further notice.

Tractive efforts



MERCEDES-BENZ OM 904 LA 110 kW

Performance curve 100006272