

USA & Canada



Pictured machine may include options and additional equipment.

Features

Charmec MC 605 ANFO charger with diesel hydraulic drive is designed for face and production charging in underground mines and tunnels up to 65 m² cross sections where max face height is 8.4 m.

ANFO vessels options of 2 x 250 / 360 / 500 / 720 / 1000 litres provides enough explosive storage volume for several faces without need for refuelling. Ready designed place for stick powder boxes, primers and detonators makes it possible to bring all the needed materials to the workplace at once and eliminates the need for an additional explosive service vehicle. Compressor option eliminates the need for external pressure air line.

The liquid cooled turbo charged 110 kW TIER 3 approved engine provides clean and efficient operation and gives maximum speed of 25 km/h and 8 km/h in upward 1:7 inclined tunnel.

The FOPS /ROPS approved safety canopy / cabin with pivotal operator's seat provides comfortable compartment for the driver and his assistant. The enclosed cabin provides noise level < 75 dB.

Self extinguishing marine type wire harness with tinned wires and water tight conduits are specially designed for safe and reliable operation in tough underground conditions. All daily checks can be done from the ground level.

Normet reserves the right to change this specification without further notice.

USA & Canada

Technical specification**CHARGING SYSTEM**

2 ANFO vessels and work stand, 1 charging operator
500 liter stainless steel ANFO kettle
Pressure max. 7 bar
Extra air for charging
Pneumatic hand and foot control for charging
and blowing
Pneumatic control in basket to switch between vessels
Anfo hose 19 x 25 mm
Earth straps front and rear
Storage area for stick powder boxes
Storage boxes for primers and detonators

NBB3XS BOOM

2-men hanging square tube basket
Lifting capacity 500 kg
Boom lift -11°...+ 60°
Max. Lifting height (basket floor) 6.5 m
Max. Vertical reach 8.8 m
Boom slew +/- 30°
Automatic levelling of basket
Diesel start/stop from basket
Battery operated emergency pump for lowering the boom

ENGINE

Liquid cooled turbo charged Mercedes-Benz OM 904 LA, 110 kW/2200 rpm, TIER 3 approved

EXHAUST SYSTEM

Catalytic exhaust gas purifier and muffler

TRANSMISSION

Dana 24 000 series power shift with pump drive group
3 speeds forward and reverse
4-wheel drive

AXLES

Planetary type
Dana 123
Load end axle fixed
Engine end axle oscillation +/- 10°

PERFORMANCE

1st gear max.	6 km/h
2nd gear	13 km/h
3rd gear	25 km/h
Max. tractive effort	120 kN
Max speed in upward 1:7 inclined tunnel	8 km/h
Performance curve	4800030

STEERING

Hydraulic frame steering
Orbitrol type
Frame articulation +/- 40°

BRAKES

Service brake: hydraulically powered dual-circuit oil immersed multidisc brakes in both axles
Safety/Parking brake: spring applied hydraulically released fail-safe -type brake. Brake testing possible from cabin
Automatic brake application (ABA)

TYRES

12.00 - 20 PR 20

FUEL TANK

Capacity 112 L

HYDRAULIC SYSTEM

Variable displacement pump system,
190 bar, 95 L/min/2200 rpm
Hydraulic oil tank capacity 115 L
Return oil filtration 10 µm
Indication of level, filtration and temperature

24 VDC ELECTRICAL SYSTEM

Exposed components are min IP 65 standard
Battery 2 x 115 Ah
Alternator 100 A
Halogen driving lights (4 + 2 pcs) 70 W
Halogen work lights (2 + 2 pcs) 70 W
LED work lights in basket (2 pcs)
LED parking, brake and indicator lights
LED side lights; amber
Side reversing halogen lights 70 W
Rotating beacon; amber
Wire harness (self extinguishing) with tinned wires and water tight conduits

DRIVER'S COMPARTMENT

Open 2-man cabin FOPS/ROPS approved
Air suspended driver's seat
Seats with retractable lap seat belt
Forward and side seating for the driver with two sets of pedals (brake and accelerator)
MID 070 S Multifunctional Display with:

- Meters; e.g. speed, RPM, operating hours
- Status indicators; e.g. fluid levels, temperatures, pressures, alarms, faults

GREASING SYSTEM

Centralized grease fittings for the carrier

OTHER

12 kg hand held fire extinguisher (2 pcs)
Standard symbol labels
Extendable support legs at the load end

USA & Canada

Optional equipment**CHARGING SYSTEM****ANFO system:**

- 2 charging operators

ANFO module:

- ANFO filling system with filling hopper

ANFO vessel size:

- 250 L
- 360 L
- 720 L
- 1000 L (see dimensional drawing)

Radio controlled charging and blowing in basket:

Optional for pneumatic control

ANFO hose diameter:

- For manual hose feeding
22x28 / 26.5x33.5 / 41.5x51 mm

ANFO hose length:

- 30 / 60 m

DRIVER'S CABIN

Enclosed cabin, ROPS/FOPS

Air suspended T-back seat for driver and passenger

OTHER

LED driving lights (4 + 2 pcs) 18 W

LED work lights (2 + 2 pcs) 43 W

Warning lights, 1 unit:

- Rotating beacon; red
- Rotating beacon; blue

Additional equipment**CHARGING SYSTEM****Additional pneumatic charging controls:** For toe holes and ground level charging work**4 m³/min onboard diesel-hydraulic compressor****BOOM OPERATION****Dead man's pedal switch**

Prevents the boom operation if not pressed

FOR ENCLOSED CABIN**CD/Radio system****Cabin ventilation:**

- Cabin heating
- Air conditioning

FOR NBB BASKET**Safety bar****Safety roof with hydraulic lift:**

- 400 kg = 240 kg + 2 persons

Safety roof with hydraulic lift and slide:

- 300 kg = 140 kg + 2 persons

LED working lights on safety roof / safety bar (2 pcs) 43 W**FIRE SUPPRESSION SYSTEM****Ansul:** Manually actuated**Ansul:** Automatically actuated**GREASING SYSTEM****Automatic lubrication system for carrier: Lincoln****Automatic lubrication system for carrier and lifter: Lincoln****OTHER****Fast fuel filling system: Wiggins****Oil evacuation kit with sample points****Extra hand held fire extinguisher (12 kg)****Hydraulic front support legs****Warning lights, 1 unit:**

- Rotating beacon; amber
- Rotating beacon; red
- Rotating beacon; blue
- Strobe light; white

Text labels in: GB / Fra / Spa**Toolbox and maintenance tools****2 wheel chocks with brackets****Reversing camera****Spare wheel with tyre**

USA & Canada

LTC services**SPARE PARTS**

Spare parts package A: Available for 1000 h of use*. Include periodical service, most common wearing parts and most critical safety parts.

Spare parts package B: Available for 3000 h of use*. Include periodical service, most common wearing parts and most critical safety parts.

* Recommendations are based on average hours - can vary a lot depending on work site conditions.

TRAINING SERVICES

Available before delivery, at start up and after delivery.

NOTE! after/during Start up / Commissioning as additional training days these are cheaper.

In general training reduces operation costs.

Product training:

Operation and Maintenance

NorSmart

Foundation of electrics, hydraulics and mechanics

Audit

Process training:

Concrete spraying

Charging

Scaling

Process audit

AUDIT SERVICES

To improve machines performance

To improve your processes performance and quality

SERVICE CONTRACTS

Spare parts supply programmes

Scheduled inspection programmes

Supervision programmes

Periodic maintenance programmes

Machine usage programmes

LINK ONE

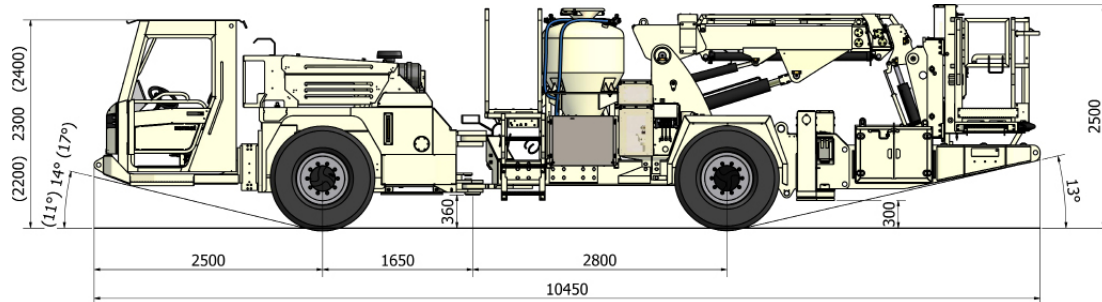
Link One electronic spare part manuals

WARRANTY SERVICES

Extended warranty

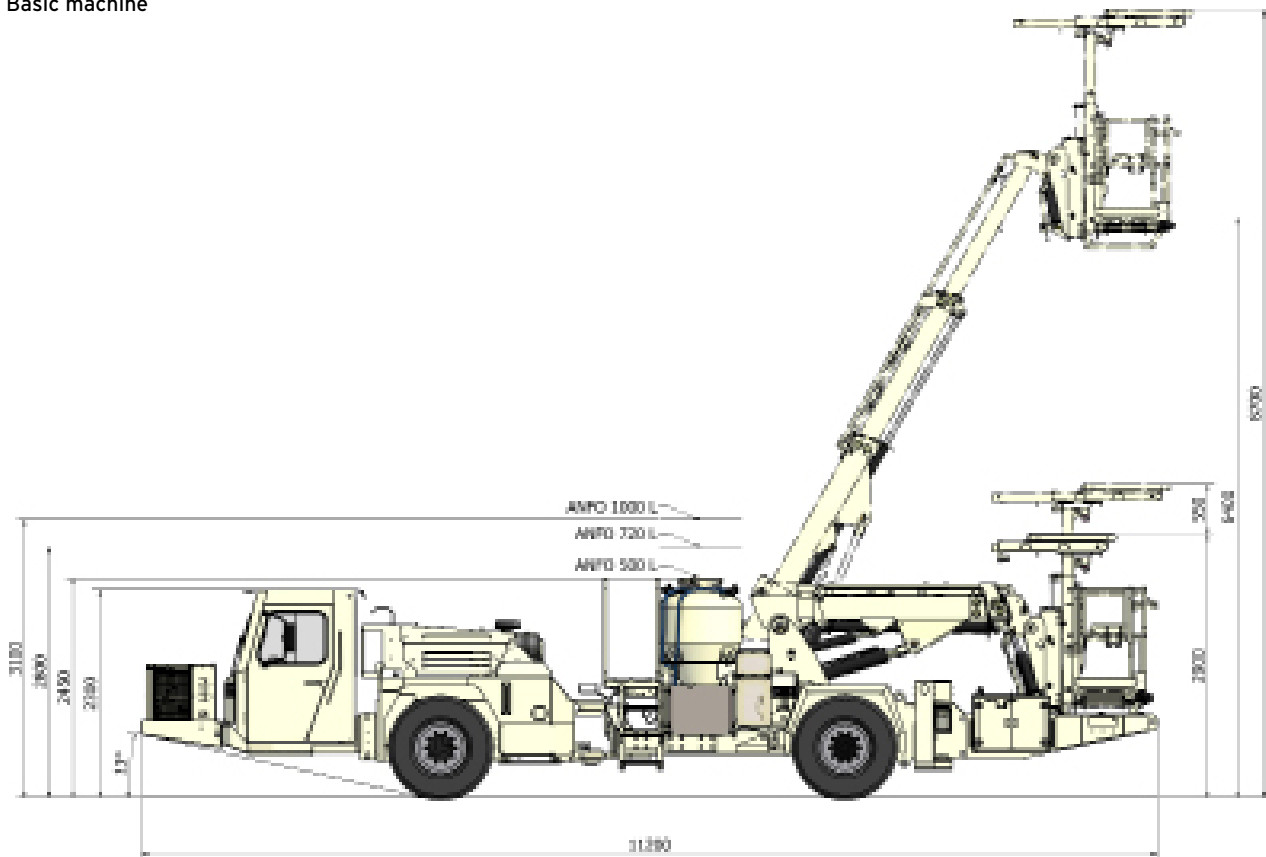
USA & Canada

Dimensions



SIDE VIEW

Basic machine



SIDE VIEW

Machine with options and enclosed cabin

DIMENSIONS

Length	10450 mm
Width	2150 mm
Height	2500 mm
Wheel base	4450 mm
Track	1650 mm
Ground clearance	360 mm

TURNING RADIUS

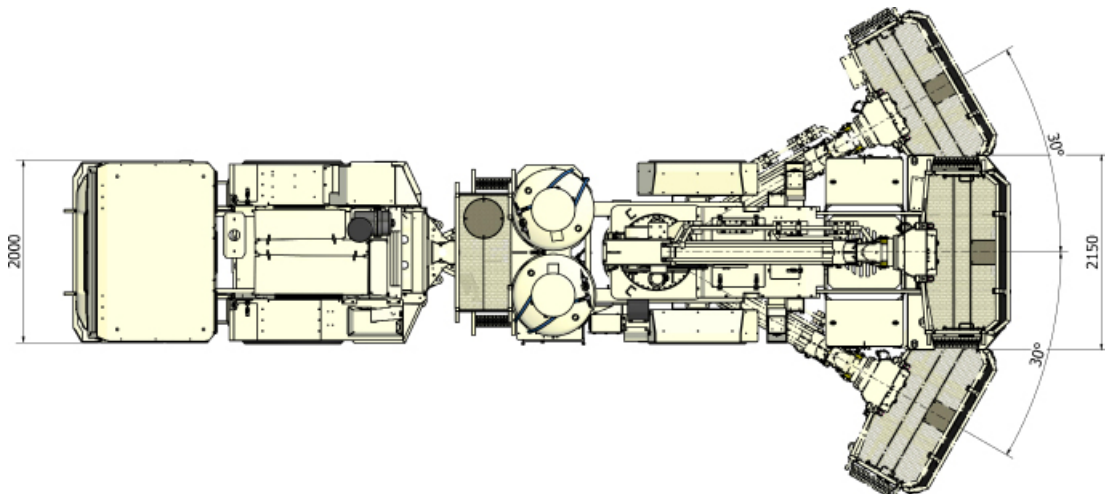
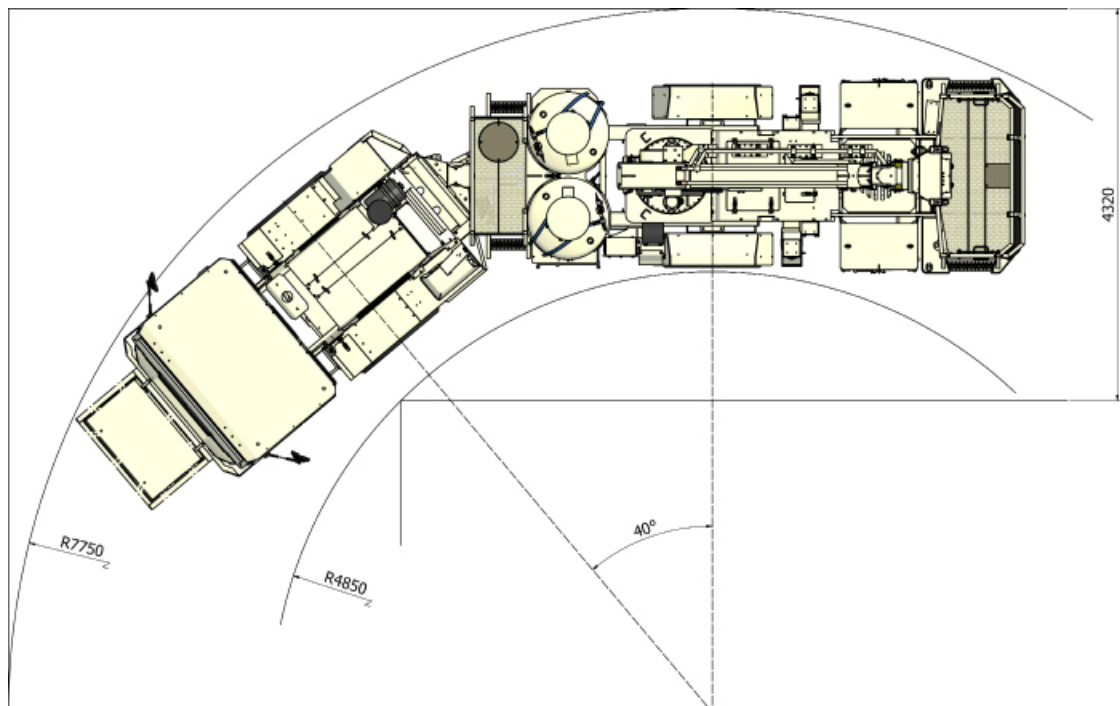
Outer	7750 mm
Inner	4850 mm

WEIGHT

Operating weight:	17 000 kg
-------------------	-----------

Normet reserves the right to change this specification without further notice.

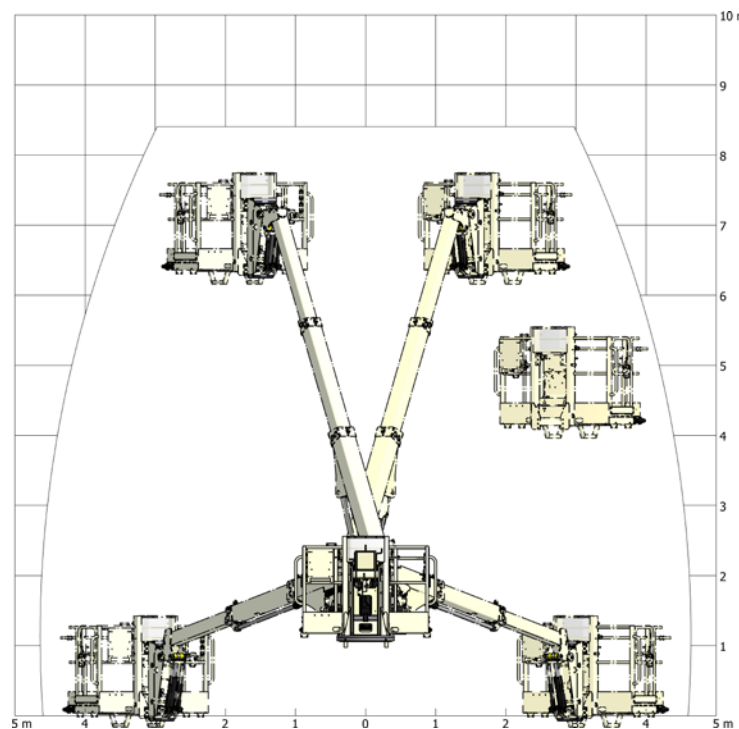
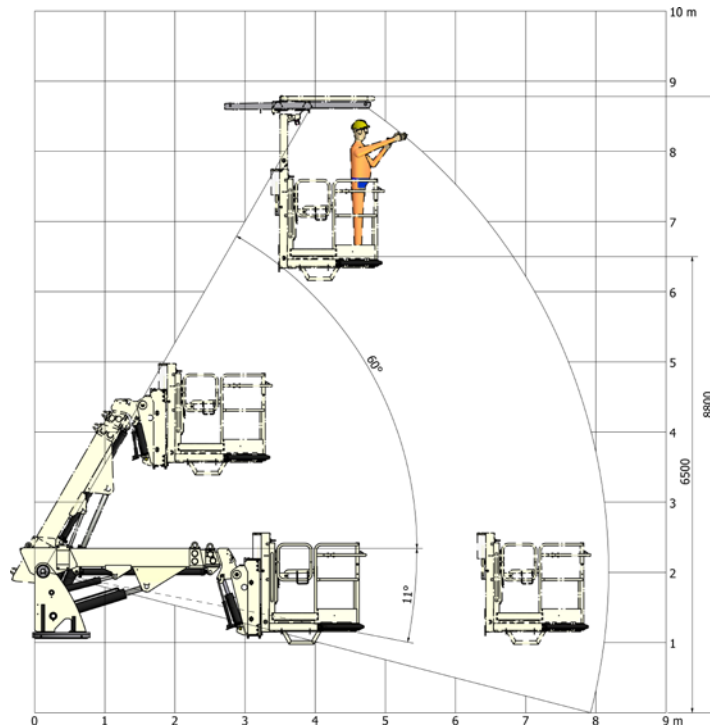
USA & Canada

Dimensions**TOP VIEW****TURNING RADIUS**

Normet reserves the right to change this specification without further notice.

USA & Canada

Dimensions

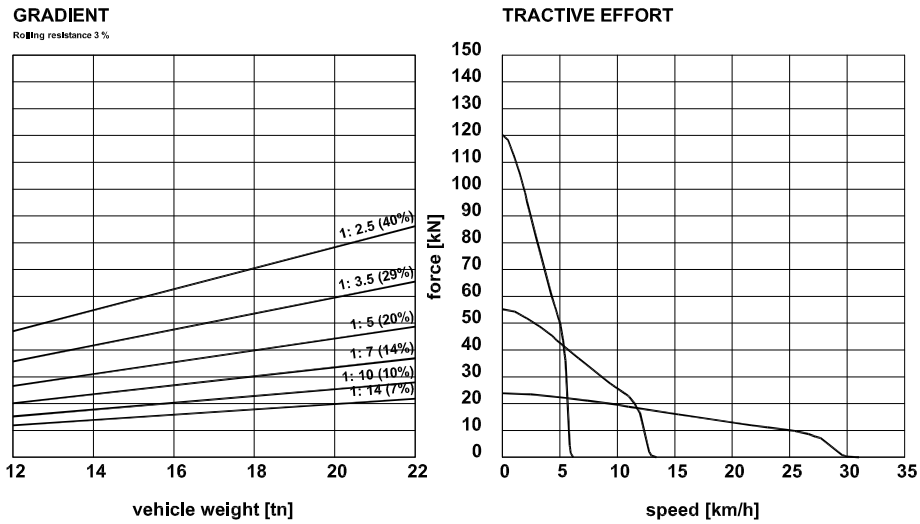


BOOM REACH

Normet reserves the right to change this specification without further notice.

USA & Canada

Tractive efforts



MERCEDES-BENZ OM 904 LA 110 kW
Performance curve 4800030