

DESCRIPTION

TamSeal BR is a pre-formed adhesive hydrophilic waterstop designed to swell up to 200% in the presence of water, providing a watertight seal in cold joints on concrete structures. This highly advanced product is made up of butyl rubber, polypropylene elastomer, hydrophilic fillers and plasticizers, providing a more uniform and controlled volumetric expansion upon contact with water. TamSeal BR is self-adhesive and bonds to a wide variety of substrates. Its ability to swell allows it to penetrate into poorly consolidated concrete surfaces.

KEY BENEFITS

- > Easy to use
- > Swells into unconsolidated concrete surfaces upon contact with water
- > Eliminates split forming, wiring to rebar, heat welding of splices.
- > Remains flexible in cold weather
- > Excellent chemical resistance

TYPICAL APPLICATIONS

- > Residential and commercial basements
- > Secondary containment structures
- > Highway tunnels
- > Concrete lined storm drainage and irrigation channels
- > Tunnels and underground structures
- > Wastewater treatment plants and water theme parks

TECHNICAL DATA

TamSeal BR	
Colour	Black
Size	20 mm X 25 mm
Penetration ASTM D-217	150gr. C.P.@25°C - 5.4 mm
	300gr. C.P.@25°C - 7.6 mm

Swelling after total immersion	5 days - 130%
	10 days - 180%
	30 days - 210%
	40 days - 250%
Density	1.35 - 1.4
Resistance to Water Pressure	6 bar
Elongation to Break	216%
Compression Deflection	25%

All technical data stated herein is based on tests carried out under laboratory conditions.

APPLICATION GUIDELINES

Surface Preparation

All Joint surfaces must be thoroughly cleaned, dry and free from laitance, dirt, oils, release agents, curing compound, debris, etc. before priming and just prior to placing TamSeal BR. Concrete should cure a minimum of 24 hours prior to priming. Use a wire brush or stiff bristle brush to clean surface prior to priming.

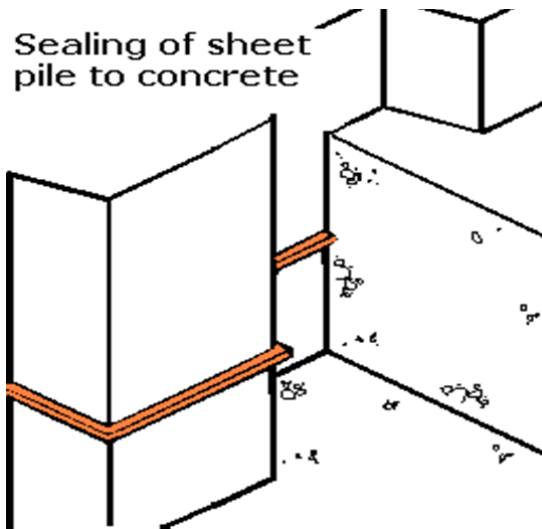
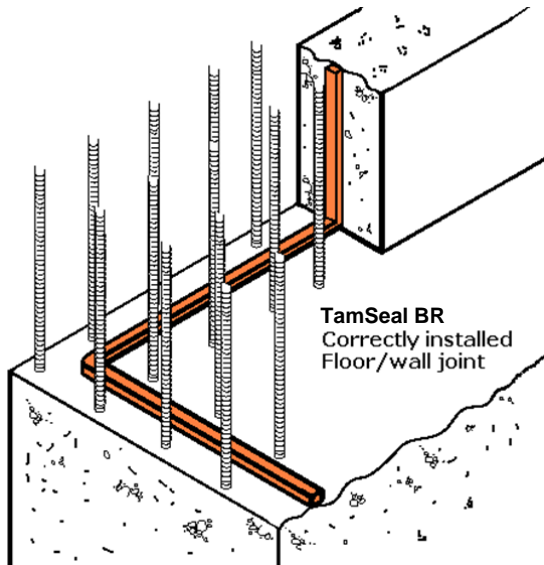
Positioning

TamSeal BR is generally positioned in the centre of the joint. It may be placed at the bottom of a keyway, if a keyway is incorporated into the joint design. However, a keyway is not required for the use of TamSeal BR.

Application Method

Minimum concrete coverage of 50mm is required when using TamSeal BR. Apply TamCrete Bond & Seal to prime the cured surface and allow to dry. Drying time generally takes 2 to 3 hours. Drying time will take longer in low temperatures and in humid environments.

Leaving the silicone release paper in place, begin uncoiling TamSeal BR while pressing the strip firmly onto the primed surface throughout the entire length of the strip. Tightly butt ends together at splices. Alternatively, ends may be spliced together with a 25mm side lap if space permits (50mm of concrete coverage is required). Remove the release paper and pour concrete directly against the TamSeal BR. This waterproof system is complete when the fresh concrete cures.



Do not allow TamSeal BR to be exposed to rain or standing water for more than 6 hours prior to pouring.

Limitations

TamSeal BR is designed for use in non-moving joints. Contact your local Normet representative regarding specific applications where joint movement may be expected.

STORAGE

TamSeal BR should be stored at room temperature (min 10°C and max 38°C), kept dry and out of direct sunlight. If these conditions are maintained and the product packaging is unopened, then a shelf life of one year can be expected.

HEALTH & SAFETY

TamSeal BR should only be used as directed. We always recommend that the Safety Data Sheet (SDS) is carefully read prior to application of the material. Our recommendations for protective equipment should be strictly adhered to for your personal protection. The Health & Safety data sheet is available upon request from your local Normet representative.