



Pictured machine may include options and additional equipment.

Features

The Utilift SF 330 Scissor Lift with lifting capacity up to 3 tonnes and max platform height of 3.5 m is designed to provide a safe work platform for all kinds of installation works in tunnels up to 5.5 m high

Typical applications are fan installations, ventilation ducting, electrification works and piping for air and water services. Optional side extensions provide complete drift coverage from single setup practically in all kinds of mine headings. The works can be accomplished safely, efficiently and comfortably from the level work deck, elevated to a optimum work height.

The powerful liquid cooled turbo charged Deutz 96 kW or MB 90 kW or air cooled Deutz D914 86.5 kW TIER 3 approved engine provides clean and efficient operation and gives maximum speed of 9 km/h in upward inclined 1:7 tunnel. In horizontal tunnel the maximum speed is 25 km/h.

Vehicle has optional front axle suspension system that improves driving safety and comfort and reduces fatigue. The suspension system reduces vibration from wheels to the front and rear cabins and improves handling of the vehicle. The suspension system gives efficiency and speed to vehicle usage, with safety and comfort for the driver and the passenger.

The new Normet FOPS and ROPS approved safety cabin provides superior visibility and comfortable compartment for the driver and the passenger. Cabin is designed for safe and easy entry and exit. Door openings are wide and handrails and non-slip steps are correctly positioned. Dashboard is easy and simple to use. New multifunctional display (MID) provides driving information (speed, RPM, temperatures etc.) and information can be recorded for analysis. Enclosed cabin provides noise level < 75 dB ensuring safe and comfort driving.

Vehicle layout allows easy access to all service points, all daily checks can be done from the ground level.

FOPS roof not available for platform.

Machine not available in areas requiring CE-marking or load monitoring (e.g. EU, Australia).

Normet reserves the right to change this specification without further notice.

Technical specification

LIFTING PLATFORM

Dimensions 1800 X 3200 mm
Lifting capacity 3000 kg
Max. Lifting height 3500 mm
Diesel start/stop from platform
Battery operated emergency pump

ENGINE

Liquid cooled turbo charged Deutz TCD 2012 L4,
96 kW/2200 rpm, TIER 3 approved

EXHAUST SYSTEM

Catalytic exhaust gas purifier and muffler

TRANSMISSION

Dana 20 000 series power shift with pump drive group
3 speeds forward and reverse
4-wheel drive

AXLES

Planetary type
Dana 112
Load end axle fixed
Engine end axle oscillation +/- 10°

TYRES

10.00 - 20 PR 16

PERFORMANCE

1st gear	max.6 km/h
2nd gear	13 km/h
3rd gear	25 km/h
Max. tractive effort	90 kN
Max speed in upward 1:7 inclined tunnel	11 km/h
Performance curve	4800031

BRAKES

Service brake: hydraulically powered two-circuit oil immersed multidisc brakes in both axles
Safety/Parking brake: spring applied hydraulically released fail-safe -type brake. Brake test possibility in cabin

STEERING

Hydraulic frame steering
Orbitrol type
Frame articulation +/- 40°

FUEL TANK

Capacity 112 L

HYDRAULIC SYSTEM

Variable displacement pump system
Pressure setting 190 bar, 95 L/min/2200 rpm
Hydraulic oil tank capacity 115 L
Return oil filtration 10 µm
Indication of level, filtration and temperature

24 VDC ELECTRICAL SYSTEM

Exposed components are min IP 65 standard
Battery 2 x 115 Ah
Alternator 100 A
Driving halogen lights (4 + 2 pcs) 70 W
Working halogen lights (2 + 2 pcs) 70 W
Working halogen lights on work platform (2 pcs) 70 W
LED parking, brake and indicator lights
LED side lights; amber
Side reversing halogen lights 70 W
Rotating beacon; amber
Wire harness (self extinguishing) with tinned wires and water tight conduits

DRIVER'S COMPARTMENT

Open 2-man cabin FOPS/ROPS approved
Air suspended driver's seat
Seat with retractable lap seat belt
Forward and side seating for the driver with two sets of pedals (brake and accelerator)
MID 070 S Multifunctional Display with:

- Meters; e.g. speed, RPM, operating hours
- Status indicators; e.g. fluid levels, temperatures, pressures, alarms, faults

GREASING SYSTEM

Centralized grease fittings for the carrier

OTHER

12 kg hand held fire extinguisher
Standard symbol labels
Hydraulic support legs on rear frame

Optional equipment

ENGINE

Liquid cooled turbo charged MB OM 904 LA,
90 kW/2200 rpm, TIER 3 approved:

1st gear max.	6 km/h
2nd gear	13 km/h
3rd gear	25 km/h
Max. tractive effort	90 kN
Max speed in upward 1:7 inclined tunnel	12 km/h
Performance curve	4800032

Air cooled Deutz D 914 L06 86.5 kW/2300 rpm TIER 3
approved

Performance curve	100021199
-------------------	-----------

DRIVER'S CABIN

Enclosed cabin
Air suspended T-back seat for driver and passenger

OTHER

LED driving lights (4 + 2 pcs) 18 W
LED working lights on cabin (2 + 2 pcs) 43 W
LED working lights on work platform (2 pcs) 18 W
Warning lights, 1 unit:

- Rotating beacon; red
- Rotating beacon; blue

Additional equipment

FOR LIFTING AND INSTALLATION WORKS

Hydraulic side extensions 730 mm
Platform tilt +/- 8° for levelling the platform
Crane Hiab O26T-2:

- Lifting capacity 26 kNm
- Max hydraulic outreach 3.4 m

Hydraulic pipe jacks:
Lifting height from platform floor 1150 mm - 1750 mm

SUSPENSION

Front axle suspension

- Hydraulic front support legs

FOR ENCLOSED CABIN

CD/Radio system
Cabin ventilation:

- Cabin heating
- Air conditioning
- Not available with D914 engine

FIRE SUPPRESSION SYSTEM

Fogmaker: Manually actuated
Fogmaker: Automatically actuated
Ansul: Manually actuated
Ansul: Automatically actuated
Tempus: Manually actuated (Non CE)

GREASING SYSTEM

Automatic lubrication system for carrier and lifter: Lincoln

AIR COMPRESSOR

4 m³ hydraulic driven compressor on front rack

GENERATOR

Hydraulic generator 6,6 kVA

OTHER

Fast fuel filling system: Wiggins
Oil evacuation kit with sample points
Extra hand held fire extinguisher (12 kg)
Hydraulic front support legs
Warning lights, 1 unit:

- Rotating beacon; amber
- Rotating beacon; red
- Rotating beacon; blue
- Strobe light; white

Text labels in: Fin / Por / GB / Swe / Rus / Nor / Ger / Fra / Spa / Ita
Toolbox and maintenance tools
2 wheel chocks with brackets
Reversing camera
Spare wheel
WLAN connection

LTC services

SPARE PARTS

Spare parts package A: Available for 1000 h of use*. Include periodical service, most common wearing parts and most critical safety parts.

Spare parts package B: Available for 3000 h of use*. Include periodical service, most common wearing parts and most critical safety parts.

* Recommendations are based on average hours - can vary a lot depending on work site conditions.

TRAINING SERVICES

Available before delivery, at start up and after delivery

Product training:

Operation and Maintenance

NorSmart

Foundation of electrics, hydraulics and mechanics

Audit

Process training:

Concrete spraying

Charging

Process audit

AUDIT SERVICES

To improve performance of the machines

To improve the performance of your processes

To help improve the quality of maintenance operations

SERVICE CONTRACTS

Spare parts supply programmes

Scheduled inspection programmes

Supervision programmes

Periodic maintenance programmes

Machine usage programmes

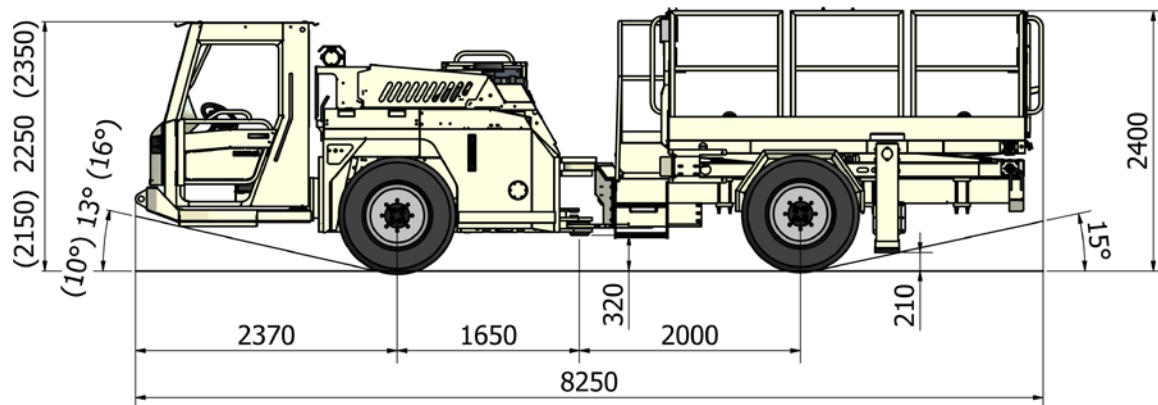
LINK ONE

Link One electronic spare part manuals

WARRANTY SERVICES

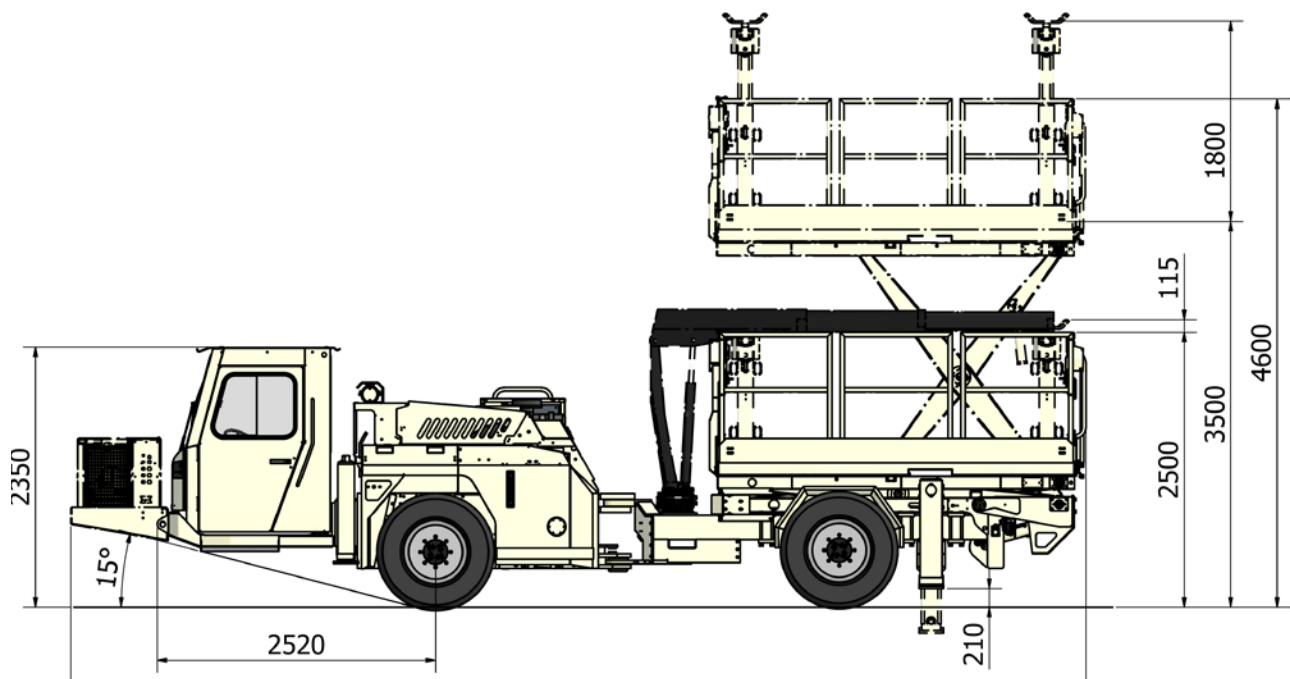
Extended warranty

Dimensions



SIDE VIEW

Basic machine



SIDE VIEW

Machine with options and additional equipment

DIMENSIONS

Length	8500 mm
Width	1800 mm
Height	2550 mm
Wheel base	3650 mm
Track	1650 mm
Ground clearance as shown	160 mm

TURNING RADIUS

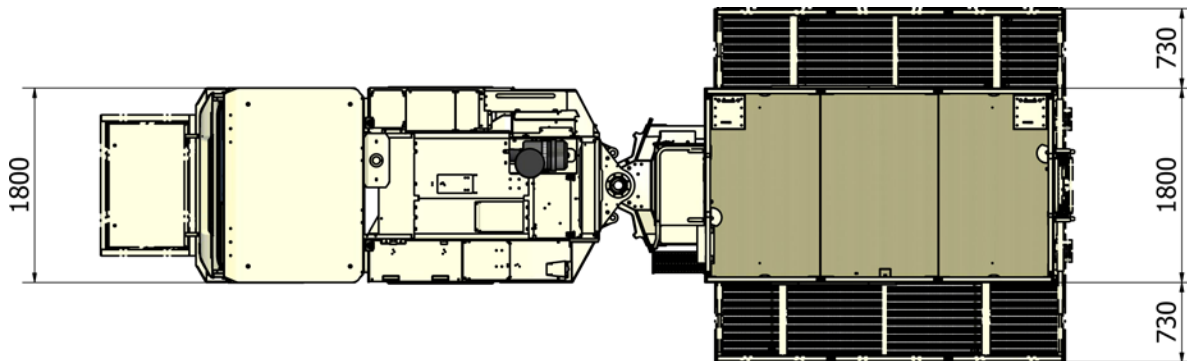
Outer	6400 mm
Inner	3950 mm

WEIGHT

Operating	9700 kg
-----------	---------

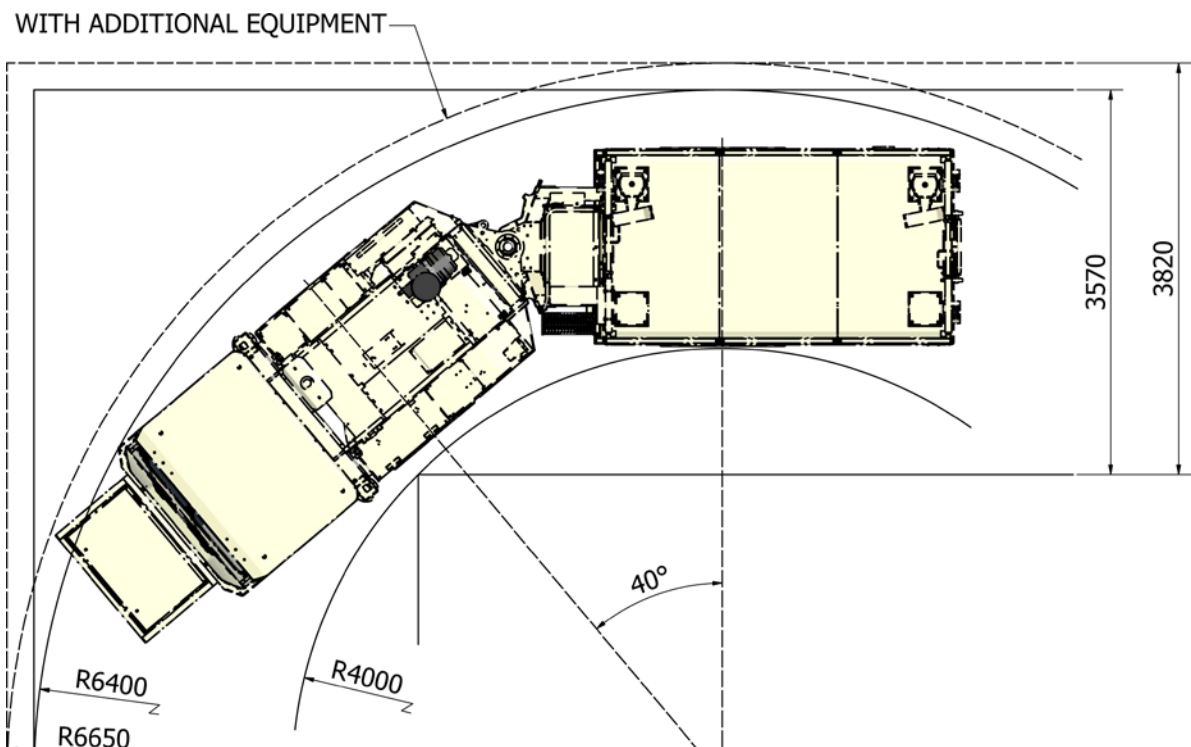
Normet reserves the right to change this specification without further notice.

Dimensions



TOP VIEW

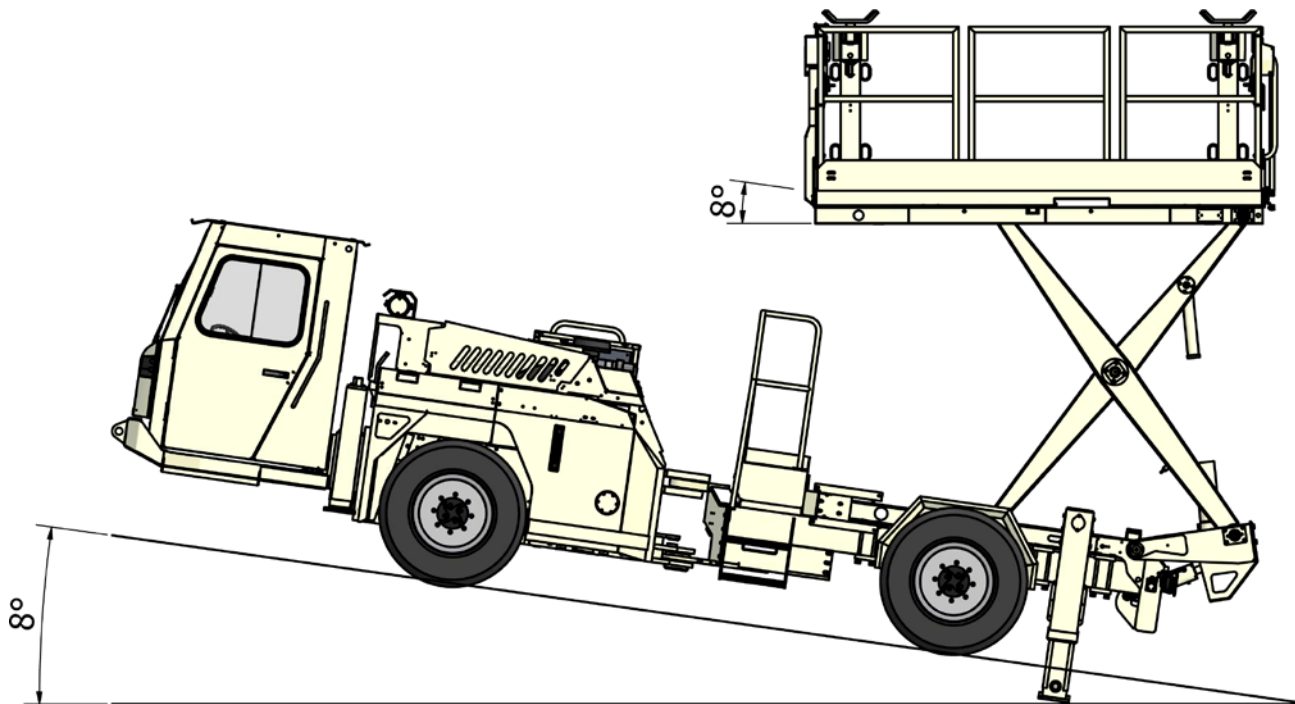
Machine with widened side extensions



TURNING RADIUS

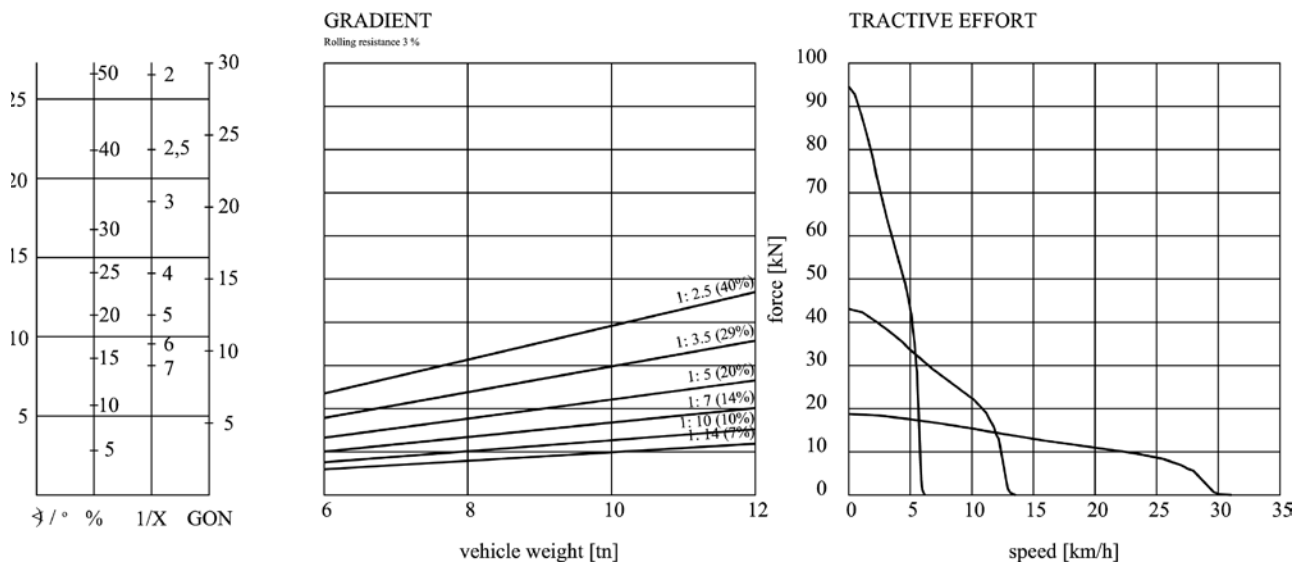
Normet reserves the right to change this specification without further notice.

Dimensions

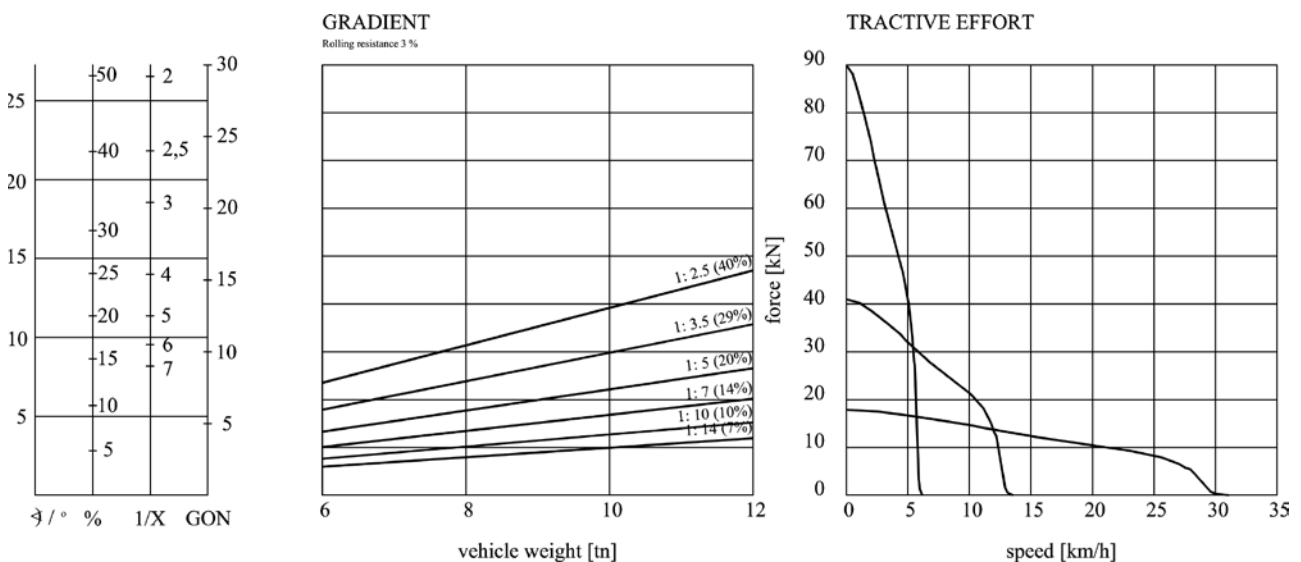


MACHINE IN 1:7 INCLINED (8 DEGREES) TUNNEL
Platform levelled with platform tilt

Tractive efforts



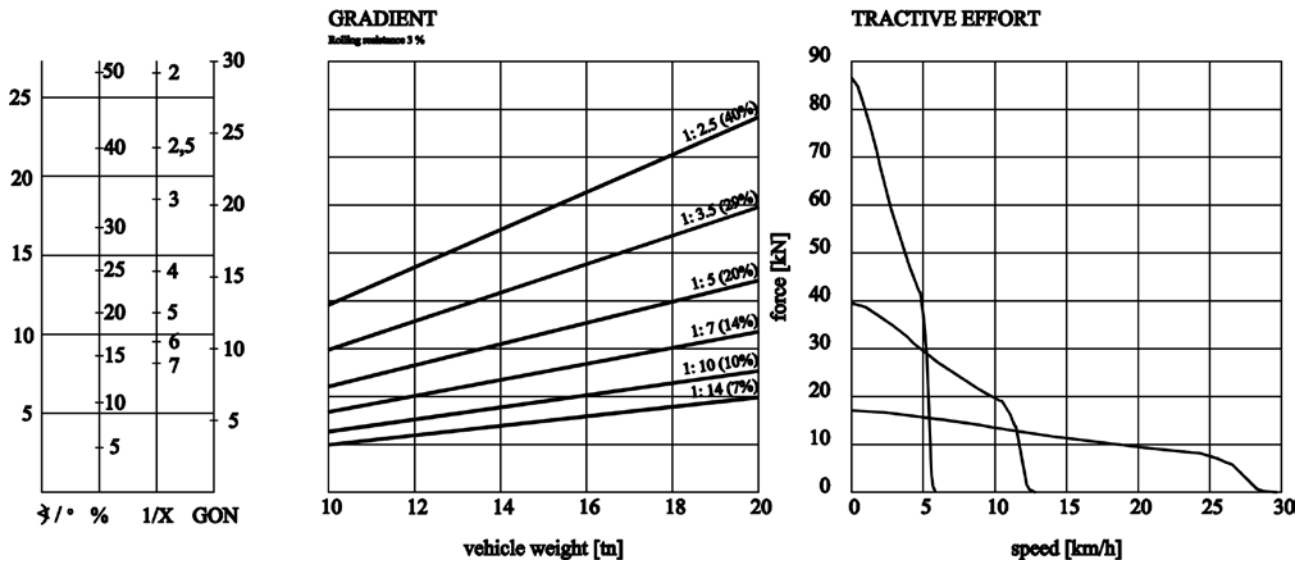
DEUTZ TCD 2012 L4 96 kW
Performance curve 4800031



MERCEDES-BENZ OM 904 LA 90 kW
Performance curve 4800032

Normet reserves the right to change this specification without further notice.

Tractive efforts



DEUTZ D914 L6 86,5 kW
Performance curve 100021199